



AN EMILIOMITI COMPANY

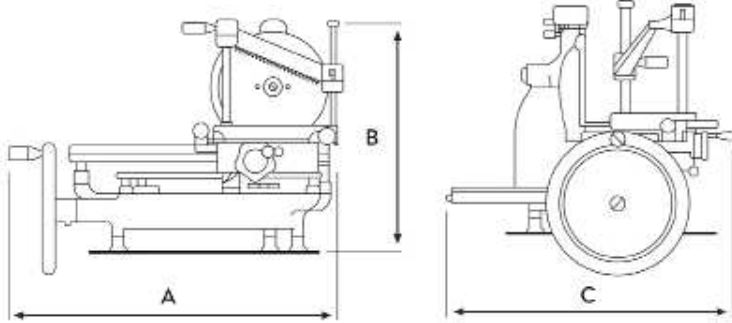
Hand Crank Meat Slicer LEGEND 250



SPECIFICATIONS

Blade Diameter	250mm (9.84")
Cut Thickness Range	0 - 2.3mm, 8 position
Cut Dimension	7.5" x 5.5"

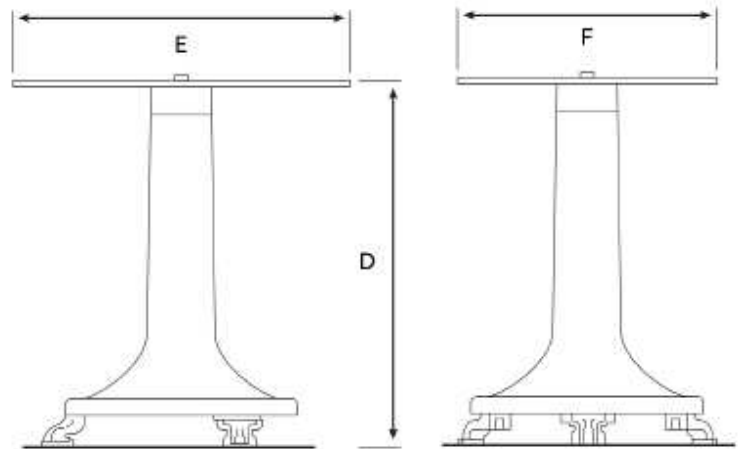
SLICER DIMENSIONS



A	Depth	27"
B	Height	18.75"
C	Width	20"

Weight	33 Kg	72.6 lbs
---------------	-------	----------

STAND DIMENSIONS



D	Height	31.5"
E	Depth	19.75"
F	Width	15.75"

Weight	57 Kg	125.4 lbs
---------------	-------	-----------

NOTES