



AN EMILIOMITI COMPANY

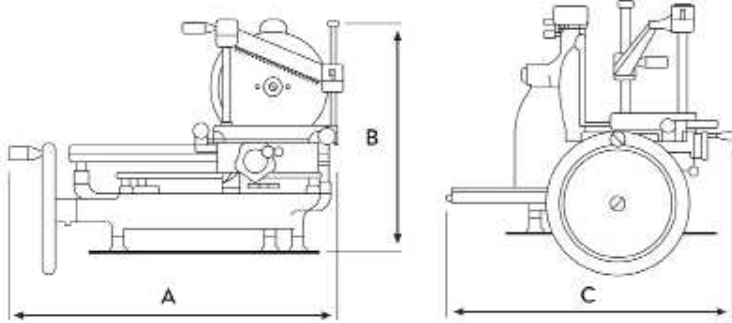
Hand Crank Meat Slicer LEGEND 300L



SPECIFICATIONS

Blade Diameter	300mm (11.8")
Cut Thickness Range	0 - 2.5mm, 10 position
Cut Dimension	8.75" x 8"

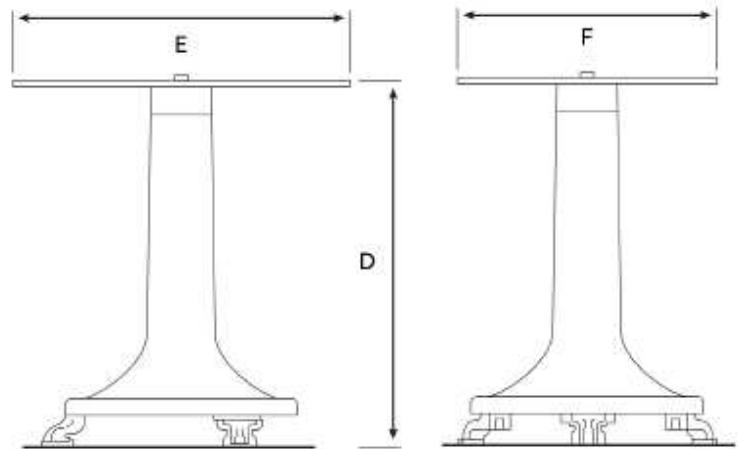
SLICER DIMENSIONS



A	Depth	29.5"
B	Height	21.25"
C	Width	21.25"

Weight	45.5 Kg	100 lbs
---------------	---------	---------

STAND DIMENSIONS



D	Height	31.5"
E	Depth	19.75"
F	Width	15.75"

Weight	57 Kg	125.4 lbs
---------------	-------	-----------

NOTES