



AN EMILIOMITI COMPANY

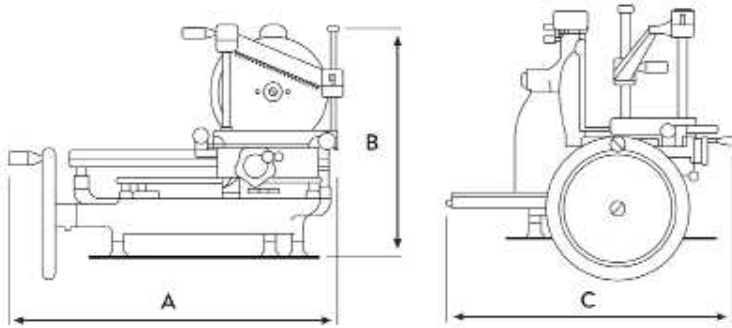
Hand Crank Meat Slicer LEGEND 350L



SPECIFICATIONS

Blade Diameter	350mm (13.7")
Cut Thickness Range	0 - 2.5mm, 10 position
Cut Dimension	12" x 10"

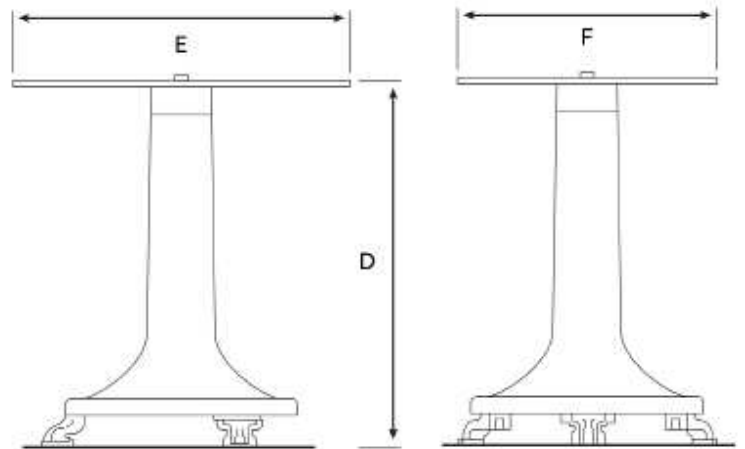
SLICER DIMENSIONS



A	Depth	33.75"
B	Height	24.5"
C	Width	25"

Weight	62 Kg	136.4 lbs
---------------	-------	-----------

STAND DIMENSIONS



D	Height	31.5"
E	Depth	19.75"
F	Width	15.75"

Weight	60 Kg	132 lbs
---------------	-------	---------

NOTES