



AN EMILIOMITI COMPANY

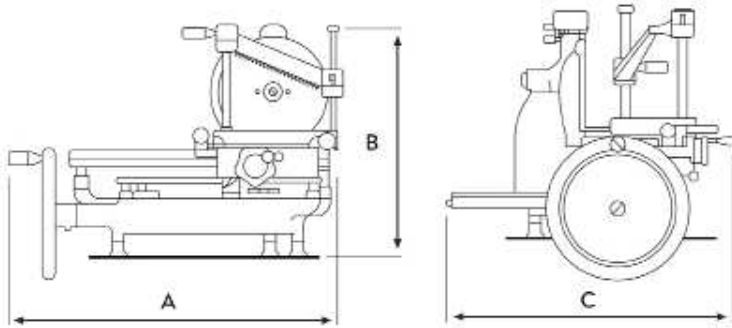
Hand Crank Meat Slicer LEGEND 350



SPECIFICATIONS

| | |
|----------------------------|-----------------------|
| Blade Diameter | 350mm (13.7") |
| Cut Thickness Range | 0 - 2.5mm, 9 position |
| Cut Dimension | 11" x 8.5" |

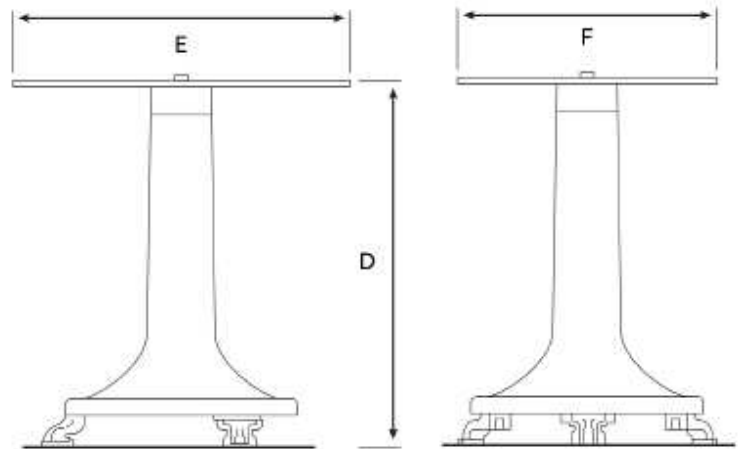
SLICER DIMENSIONS



| | | |
|----------|--------|--------|
| A | Depth | 32.75" |
| B | Height | 25.25" |
| C | Width | 28" |

| | | |
|---------------|-------|-----------|
| Weight | 81 Kg | 178.2 lbs |
|---------------|-------|-----------|

STAND DIMENSIONS



| | | |
|----------|--------|--------|
| D | Height | 31.5" |
| E | Depth | 27.5" |
| F | Width | 17.75" |

| | | |
|---------------|-------|-----------|
| Weight | 57 Kg | 127.6 lbs |
|---------------|-------|-----------|

NOTES